

# LM3492HC/-Q1 具有升压转换器和快速电流调节器的 双通道、独立可调光 LED 驱动器

## 1 特性

- 升压转换器
  - 汽车级产品，符合 Q100 1 级要求
  - 极宽输入电压范围：4.5V 至 65V
  - 可编程软启动周期
  - 无需环路补偿
  - 与陶瓷电容及其他低等效串联电阻 (ESR) 电容配合使用时可保持稳定，无可闻性噪声产生
  - 近似恒定的开关频率可在 200kHz 至 1MHz 范围内进行编程
- 电流调节器
  - 可编程发光二极管 (LED) 电流：50mA 至 250mA
  - 10000: 1 对比度，300ns 最小脉宽
  - 两个独立可调光 LED 灯串的电压高达 65V，总功耗为 15W（电流为 150mA 时通常为 28 个 LED）
  - 动态余量控制可实现效率最大化
  - 过载保护
  - ±3% 电流精度
- 监控功能
  - 精密使能
  - 用于诊断和命令的 COMM I/O 引脚
  - 热关断保护
  - 20 引脚耐热增强型 PWP 封装

## 2 应用

- 使用多达 28 个 LED 提供背光照明的 6.5" 至 10" 超高对比度液晶显示屏 (LCD)
- 汽车或航海全球定位系统 (GPS) 显示屏

## 3 说明

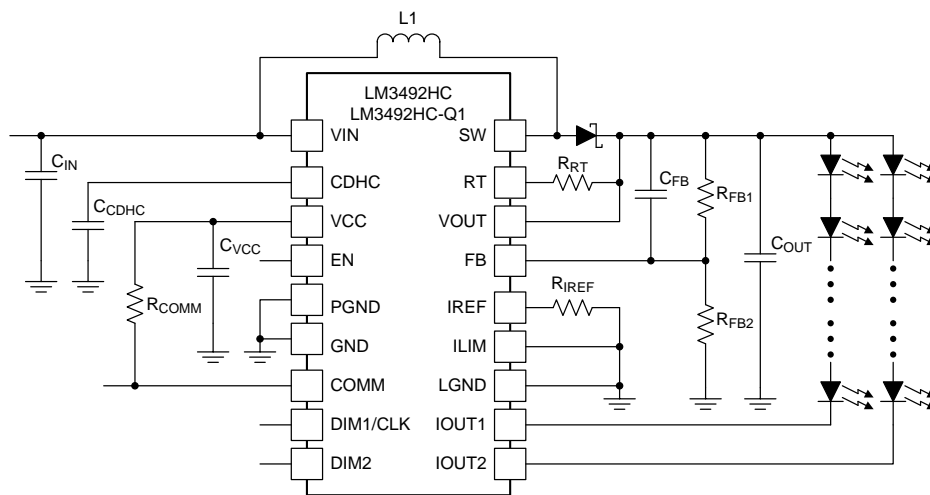
LM3492HC/-Q1 器件集成了一个升压转换器和一个双通道电流调节器，以实现一款高效且经济实用的 LED 驱动器。该器件能够以 15W 最大功耗以及最高可达 65V 的输出电压驱动两个独立可调光 LED 灯串。升压转换器采用一种专有的预计导通时间控制方法提供快速瞬态响应，无需进行补偿。近似恒定的开关频率可在 200kHz 至 1MHz 范围内进行设定。陶瓷电容可使应用电路保持稳定状态，并且在调光过程中不会产生可闻性噪声。可编程峰值电流限值和软启动功能降低了启动时的浪涌电流。集成的 190mΩ、3.9A、N 沟道金属氧化物半导体场效应晶体管 (MOSFET) 开关最大限度地缩减了解决方案的尺寸。快速转换的电流调节器支持应用高频和窄脉宽调光信号，可实现 10000:1 的超高对比度。LED 电流可通过单个电阻在 50mA 至 250 mA 的范围内进行设置。

器件信息<sup>(1)</sup>

器件型号	封装	封装尺寸 (标称值)
LM3492HC	PWP (20)	6.50mm x 4.40mm
LM3492HC-Q1		

(1) 要了解所有可用封装，请见数据表末尾的可订购产品附录。

简化应用



## 目录

<b>1</b>	特性 .....	<b>1</b>	8.4	Device Functional Modes .....	<b>17</b>
<b>2</b>	应用 .....	<b>1</b>	8.5	Programming .....	<b>18</b>
<b>3</b>	说明 .....	<b>1</b>	<b>9</b>	<b>Application and Implementation</b> .....	<b>19</b>
<b>4</b>	修订历史记录 .....	<b>2</b>	9.1	Application Information .....	<b>19</b>
<b>5</b>	说明 (继续) .....	<b>3</b>	9.2	Typical Application .....	<b>19</b>
<b>6</b>	<b>Pin Configuration and Functions</b> .....	<b>3</b>	<b>10</b>	<b>Power Supply Recommendations</b> .....	<b>22</b>
<b>7</b>	<b>Specifications</b> .....	<b>4</b>	<b>11</b>	<b>Layout</b> .....	<b>22</b>
7.1	Absolute Maximum Ratings .....	<b>4</b>	11.1	Layout Guidelines .....	<b>22</b>
7.2	ESD Ratings .....	<b>4</b>	11.2	Layout Example .....	<b>22</b>
7.3	Recommended Operating Conditions .....	<b>4</b>	<b>12</b>	<b>器件和文档支持</b> .....	<b>23</b>
7.4	Thermal Information .....	<b>5</b>	12.1	相关链接 .....	<b>23</b>
7.5	Electrical Characteristics .....	<b>5</b>	12.2	社区资源 .....	<b>23</b>
7.6	Typical Characteristics .....	<b>7</b>	12.3	商标 .....	<b>23</b>
<b>8</b>	<b>Detailed Description</b> .....	<b>11</b>	12.4	静电放电警告 .....	<b>23</b>
8.1	Overview .....	<b>11</b>	12.5	Glossary .....	<b>23</b>
8.2	Functional Block Diagram .....	<b>11</b>	<b>13</b>	<b>机械、封装和可订购信息</b> .....	<b>23</b>
8.3	Feature Description .....	<b>12</b>			

## 4 修订历史记录

注：之前版本的页码可能与当前版本有所不同。

### Changes from Revision A (May 2013) to Revision B

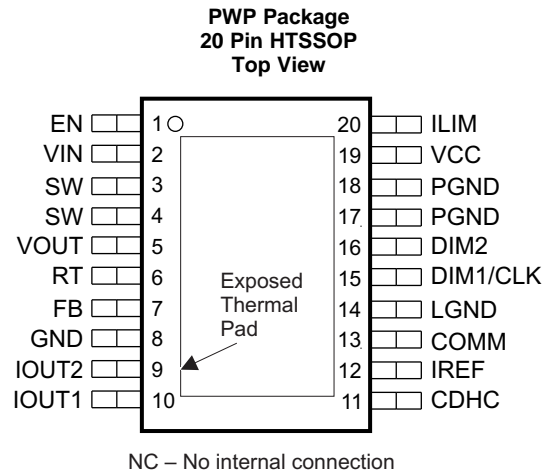
Page

- |  |          |
|--|----------|
| • 已添加 引脚配置和功能部分, ESD 额定值表, 特性描述部分, 器件功能模式, 应用和实施部分, 电源相关建议部分, 布局部分, 器件和文档支持部分以及机械、封装和可订购信息部分 ..... | <b>1</b> |
|--|----------|

## 5 说明 (继续)

为了实现效率最大化，动态余量控制 (DHC) 将输出电压自动调节为最小值。不同尺寸的背光面板对于灯串中 LED 数量的要求各异，DHC 为此提供单一物料清单 (BOM)，从而缩短总体开发时间并削减总成本。LM3492HC 器件的 COMM 引脚用作双向 I/O 引脚。通用的 COMM 引脚与外部微控制器 (MCU) 相连，能够提供以下功能：电源正常、过热、IOUT 过压和欠压指示、开关频率调整以及通道 1 禁用。该器件的其他监视功能包括：精密使能、VCC 欠压锁定、电流调节器过载保护以及热关断保护。该器件采用 20 引脚耐热增强型 PWP 封装。

## 6 Pin Configuration and Functions



### Pin Functions

PIN		TYPE <sup>(1)</sup>	DESCRIPTION
NAME	NO.		
CDHC	11	I	Dynamic headroom control. An external capacitor connected to this pin sets the DHC sensitivity. At start-up, a 12- $\mu$ A internal current source charges an external capacitor to provide a soft-start function.
COMM	13	I/O	Bidirectional logic communication. This pin is open drain for various indications (power-good, overtemperature, IOUT overvoltage and undervoltage) and command sending (switching frequency tuning and channel 1 disabling).
DIM1/CLK	15	I/O	Dimming control of channel 1. Control the on and off of the current regulator of channel 1. This pin is internally pulled low by a 5- $\mu$ A current. This pin also serves as a clock signal for latching input and output data of the COMM pin.
DIM2	16	I	Dimming control of channel 2. Control the on and off of the current regulator of channel 2. This pin is internally pulled low by a 5- $\mu$ A current.
EN	1	I	Enable input. Contains an internal pullup. Connect to a voltage higher than 1.63 V to provide precision enable for the device.
FB	7	I	Output voltage feedback. The output voltage is connected to this pin through a feedback resistor divider for output voltage regulation. The voltage of this pin is from 1.05 V to 2.5 V.
GND	8	G	Analog signal ground. Connect to the exposed pad directly beneath the device.
ILIM	20	I	Peak current limit adjust. Connecting an external resistor from the ILIM pin to the VCC pin reduces peak current limit. Connect the ILIM pin to ground to obtain the maximum current limit.
IOUT1	10	I	Current regulator input for channel 1. Input of the current regulator of channel 1. The regulated current is programmable (see the IREF pin).
IOUT2	9	I	Current regulator input for channel 2. Input of the current regulator of channel 2. The regulated current is programmable (see the IREF pin).
IREF	12	I	Current setting pin for the current regulators. An external resistor connected from this pin to ground programs the regulated current of the current regulator of channels 1 and 2.
LGND	14	G	Current regulator ground. Must be connected to the GND pin and exposed pad for normal operation. The LGND and GND pins are not internally connected.

(1) I = Input, O = Output, G = Ground

**Pin Functions (continued)**

PIN		TYPE <sup>(1)</sup>	DESCRIPTION
NAME	NO.		
PGND	17	G	Integrated MOSFET ground. Must be connected to the GND pin and exposed pad for normal operation. The PGND and GND pins are not internally connected.
	18		
RT	6	I	Frequency control pin. An external resistor from the VOUT pin to this pin sets the switching frequency.
SW	3	I	Switch node. Internally connected to the drain of the integrated MOSFET.
	4		
VCC	19	O	Internal LED regulator output. Nominally regulated to 5.5 V. Connect a capacitor of 0.47- $\mu$ F or larger between the VCC and GND pins.
VIN	2	I	Input supply voltage pin. Input voltage range is from 4.5 V to 65 V.
VOUT	5	I	Output voltage sense pin. Senses the output voltage for nearly constant switching frequency control.
Exposed Pad		G	Thermal connection pad. Connect to a ground plane.

## 7 Specifications

### 7.1 Absolute Maximum Ratings

 over operating free-air temperature range (unless otherwise noted) <sup>(1)</sup>

		MIN	MAX	UNIT
Input voltage	VIN, RT, VOUT to GND, SW to GND	-0.3	67	V
	SW to GND (transient <100 ns)		-2	
Output voltage	ILIM to GND	-0.3	1	V
	FB to GND	-0.3	5	
	COMM, DIM1, DIM2, to GND	-0.3	6	
Junction temperature, T <sub>J</sub>			150	°C
Storage temperature, T <sub>stg</sub>		-65	150	

- (1) Stresses beyond those listed under *Absolute Maximum Ratings* may cause permanent damage to the device. These are stress ratings only, which do not imply functional operation of the device at these or any other conditions beyond those indicated under *Recommended Operating Conditions*. Exposure to absolute-maximum-rated conditions for extended periods may affect device reliability.

### 7.2 ESD Ratings

		VALUE	UNIT
V <sub>(ESD)</sub>	Electrostatic discharge	Human-body model (HBM), per ANSI/ESDA/JEDEC JS-001 <sup>(1)</sup>	±2000
		Charged-device model (CDM), per JEDEC specification JESD22-C101 <sup>(2)</sup>	±750

- (1) JEDEC document JEP155 states that 500-V HBM allows safe manufacturing with a standard ESD control process. Pins listed as ±2000 V may actually have higher performance.
- (2) JEDEC document JEP157 states that 250-V CDM allows safe manufacturing with a standard ESD control process. Pins listed as ±750 V may actually have higher performance.

### 7.3 Recommended Operating Conditions

over operating free-air temperature range (unless otherwise noted)

	MIN	NOM	MAX	UNIT
Supply input voltage, V <sub>IN</sub>	4.5		65	V
Junction temperature, T <sub>J</sub>	-40		125	°C

## 7.4 Thermal Information

THERMAL METRIC <sup>(1)</sup>		LM3492HC	UNIT
		PWP (HTSSOP)	
		20 PINS	
R <sub>θJA</sub>	Junction-to-ambient thermal resistance	36.8	°C/W
R <sub>θJC(top)</sub>	Junction-to-case (top) thermal resistance	21.8	°C/W
R <sub>θJB</sub>	Junction-to-board thermal resistance	18.3	°C/W
Ψ <sub>JT</sub>	Junction-to-top characterization parameter	0.6	°C/W
Ψ <sub>JB</sub>	Junction-to-board characterization parameter	18.1	°C/W
R <sub>θJC(bot)</sub>	Junction-to-case (bottom) thermal resistance	2	°C/W

(1) For more information about traditional and new thermal metrics, see the *Semiconductor and IC Package Thermal Metrics* application report, [SPRA953](#).

## 7.5 Electrical Characteristics

over operating free-air temperature range, V<sub>IN</sub> = 12 V (unless otherwise noted)

PARAMETER		TEST CONDITIONS	MIN	TYP	MAX	UNIT
<b>START-UP REGULATOR (VCC PIN)</b>						
V <sub>VCC</sub>	Output voltage	C <sub>VCC</sub> = 0.47 μF, no load	4.7	5.5	6.3	V
		I <sub>VCC</sub> = 2 mA	4.7	5.5	6.3	V
V <sub>CC_UVLO</sub>	VCC pin undervoltage lockout threshold (UVLO)	V <sub>VCC</sub> increasing, T <sub>A</sub> = T <sub>J</sub> = 25°C	3.56	3.78	4	V
V <sub>CC_UVLO-HYS</sub>	VCC pin UVLO hysteresis	V <sub>VCC</sub> decreasing, T <sub>A</sub> = T <sub>J</sub> = 25°C		310		mV
I <sub>IN</sub>	I <sub>IN</sub> operating current	No switching, V <sub>FB</sub> = 0 V		3.6	5.2	mA
I <sub>IN-SD</sub>	I <sub>IN</sub> operating current, device shutdown	V <sub>EN</sub> = 0 V		30	95	μA
I <sub>VCC</sub>	VCC pin current limit <sup>(1)</sup>	V <sub>VCC</sub> = 0 V	18	30		mA
V <sub>CC-VOUT</sub>	VCC pin output voltage when supplied by VOUT	V <sub>IN</sub> = Open, I <sub>VCC</sub> = 1 mA, V <sub>OUT</sub> = 18 V	3.5	4.1	4.7	V
<b>ENABLE INPUT</b>						
V <sub>EN</sub>	EN pin input threshold	V <sub>EN</sub> rising	1.55	1.63	1.71	V
V <sub>EN-HYS</sub>	EN pin threshold hysteresis	V <sub>EN</sub> falling		194		mV
I <sub>EN-SHUT</sub>	Enable pullup current at shutdown	V <sub>EN</sub> = 0 V		2		μA
I <sub>EN-OPER</sub>	Enable pullup current during operation	V <sub>EN</sub> = 2 V		40		μA
<b>CURRENT REGULATOR</b>						
V <sub>IREF</sub>	IREF pin voltage	4.5 V ≤ V <sub>IN</sub> ≤ 65 V	1.231	1.256	1.281	V
V <sub>DHC50</sub>	V <sub>IOUT</sub> under DHC	I <sub>OUT</sub> = 50 mA, R <sub>IREF</sub> = 25 kΩ	0.160	0.225	0.290	V
V <sub>DHC100</sub>		I <sub>OUT</sub> = 100 mA, R <sub>IREF</sub> = 12.5 kΩ	0.38	0.48	0.58	
V <sub>DHC200</sub>		I <sub>OUT</sub> = 200 mA, R <sub>IREF</sub> = 6.25 kΩ	0.81	0.99	1.17	
V <sub>DHC250</sub>		I <sub>OUT</sub> = 250 mA, R <sub>IREF</sub> = 5 kΩ	0.81	1.21	1.44	

(1) The VCC pin provides self bias for the internal gate drive and control circuits. Device thermal limitations limit external loading.

**Electrical Characteristics (continued)**

 over operating free-air temperature range,  $V_{IN} = 12\text{ V}$  (unless otherwise noted)

PARAMETER		TEST CONDITIONS	MIN	TYP	MAX	UNIT
$I_{OUT50}$	Current output under DHC	$V_{IOUT} = V_{DHC50}$ , $R_{IREF} = 25\text{ k}\Omega$ , $T_A = T_J = 25^\circ\text{C}$	47.5	50	52.5	mA
		$V_{IOUT} = V_{DHC50}$ , $R_{IREF} = 25\text{ k}\Omega$	46.5	50	53.5	
$I_{OUT100}$		$V_{IOUT} = V_{DHC100}$ , $R_{IREF} = 12.5\text{ k}\Omega$ , $T_A = T_J = 25^\circ\text{C}$	97	100	103	
		$V_{IOUT} = V_{DHC100}$ , $R_{IREF} = 12.5\text{ k}\Omega$	96	100	104	
$I_{OUT200}$		$V_{IOUT} = V_{DHC200}$ , $R_{IREF} = 6.25\text{ k}\Omega$ , $T_A = T_J = 25^\circ\text{C}$	194	200	206	
		$V_{IOUT} = V_{DHC200}$ , $R_{IREF} = 6.25\text{ k}\Omega$	192	200	208	
$I_{OUT250}$		$V_{IOUT} = V_{DHC250}$ , $R_{IREF} = 5\text{ k}\Omega$ , $T_A = T_J = 25^\circ\text{C}$	241.3	250	258.8	
		$V_{IOUT} = V_{DHC250}$ , $R_{IREF} = 5\text{ k}\Omega$	238	250	262	
$I_{OUTOFF}$	Leakage at maximum work voltage	$V_{DIM} = 0$ , $V_{IOUT} = 65\text{ V}$			5	$\mu\text{A}$
$V_{IOUT50-MIN}$	Minimum work voltage	$I_{OUT} = 50\text{ mA}$ , $R_{IREF} = 25\text{ k}\Omega$ , $I_{OUT} = 0.98 \times I_{OUT50}$ , $T_A = T_J = 25^\circ\text{C}$		0.1	0.15	V
$V_{IOUT100-MIN}$		$I_{OUT} = 100\text{ mA}$ , $R_{IREF} = 12.5\text{ k}\Omega$ , $I_{OUT} = 0.98 \times I_{OUT100}$ , $T_A = T_J = 25^\circ\text{C}$		0.2	0.35	
$V_{IOUT200-MIN}$		$I_{OUT} = 200\text{ mA}$ , $R_{IREF} = 6.25\text{ k}\Omega$ , $I_{OUT} = 0.98 \times I_{OUT200}$ , $T_A = T_J = 25^\circ\text{C}$		0.4	0.65	
$V_{IOUT250-MIN}$		$I_{OUT} = 250\text{ mA}$ , $R_{IREF} = 5\text{ k}\Omega$ , $I_{OUT} = 0.98 \times I_{OUT250}$ , $T_A = T_J = 25^\circ\text{C}$		0.5	0.82	
$V_{DIM-HIGH}$	DIM voltage HIGH		1.17			V
$V_{DIM-LOW}$	DIM voltage LOW				0.7	V
<b>BOOST CONVERTER</b>						
$I_{CDHC-SRC}$	CDHC pin source current	$V_{CDHC} = 1.6\text{ V}$ , $V_{FB} = 3\text{ V}$ , $V_{IOUT} = 0\text{ V}$ , DIM = High		60		$\mu\text{A}$
$I_{CDHC-SINK}$	CDHC pin sink current	$V_{CDHC} = 1.6\text{ V}$ , $V_{FB} = 3\text{ V}$ , $V_{IOUT} = 3\text{ V}$ , DIM = High		56		$\mu\text{A}$
$I_{CDHC-PULLUP}$	CDHC pin pullup current	DIM = Low, $V_{CDHC} = 2.3\text{ V}$ , $V_{FB} = 3\text{ V}$	10	200	500	nA
$I_{CL-MAX}$	Integrated MOSFET peak current limit threshold		3.3	3.9	4.5	A
$I_{CL-HALF}$	Half integrated MOSFET peak current limit threshold	$R_{ILIM} = 11\text{ k}\Omega$		2		A
$R_{DS(on)}$	Integrated MOSFET On-resistance	$I_{SW} = 500\text{ mA}$		0.19	0.43	$\Omega$
$V_{FBTH-PWRGD}$	Power-Good FB pin threshold			2.25		V
$V_{FB-OVP}$	FB pin overvoltage protection threshold FB pin OVP hysteresis	$V_{FB}$ rising, $V_{CDHC} = 4\text{ V}$	2.64	2.76	2.88	V
		$V_{FB}$ falling	0.1	0.215	0.323	
$I_{FB}$	Feedback pin input current	$V_{FB} = 3\text{ V}$			1	$\mu\text{A}$
$t_{ON}$	ON timer pulse width	$V_{IN} = 12\text{ V}$ , $V_{OUT} = 65\text{ V}$ , $R_{RT} = 300\text{ k}\Omega$		1460		ns
		$V_{IN} = 24\text{ V}$ , $V_{OUT} = 32.5\text{ V}$ , $R_{RT} = 300\text{ k}\Omega$		800		
		$V_{IN} = 12\text{ V}$ , $V_{OUT} = 65\text{ V}$ , $R_{RT} = 100\text{ k}\Omega$		550		
		$V_{IN} = 24\text{ V}$ , $V_{OUT} = 32.5\text{ V}$ , $R_{RT} = 100\text{ k}\Omega$		350		
$t_{ON(min)ILIM}$	ON timer minimum pulse width at current limit			145		ns
$t_{OFF}$	OFF timer pulse width			145	350	ns

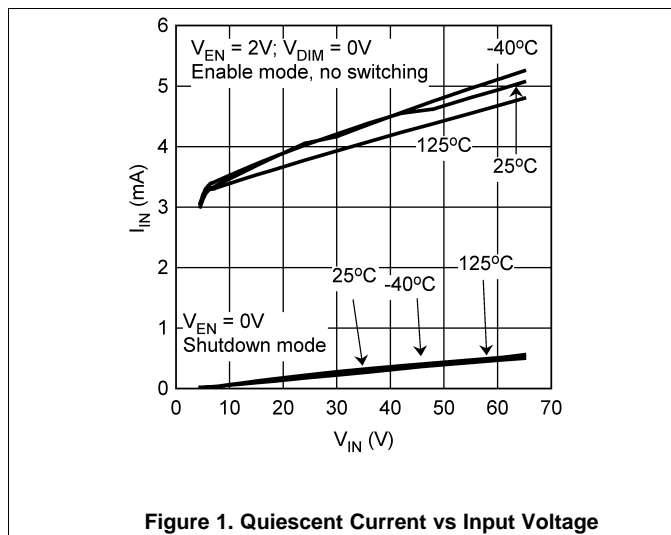
**Electrical Characteristics (continued)**

over operating free-air temperature range,  $V_{IN} = 12\text{ V}$  (unless otherwise noted)

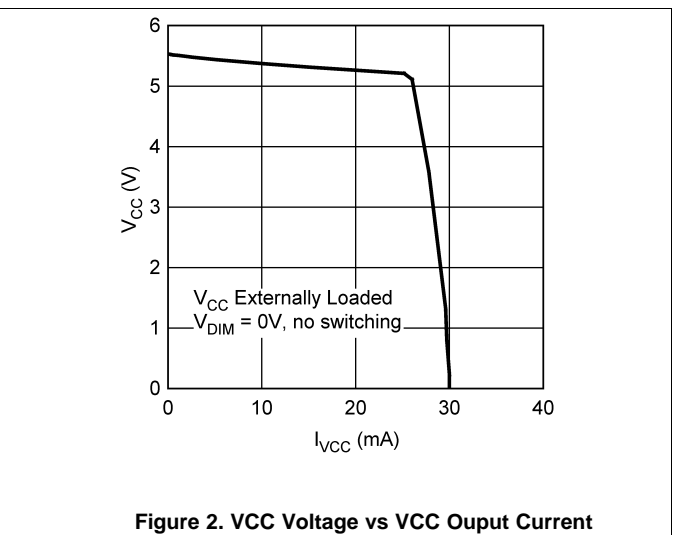
PARAMETER	TEST CONDITIONS	MIN	TYP	MAX	UNIT		
<b>COMM PIN</b>							
$V_{IOUT-OV}$	IOUT pin overvoltage threshold	COMM goes LOW during $V_{IOUT}$ rising, other $V_{IOUT} = 1.2\text{ V}$		5.6	6.7	7.8	V
$V_{COMM-LOW}$	COMM pin at LOW	5 mA into COMM				0.7	V
$I_{LEAK-FAULT}$	COMM pin open leakage	$V_{COMM} = 5\text{ V}$				5	$\mu\text{A}$
<b>THERMAL PROTECTION</b>							
$T_{OTM}$	Overtemperature indication	$T_J$ rising				135	$^{\circ}\text{C}$
$T_{OTM-HYS}$	Over-temperature indication hysteresis	$T_J$ falling				15	$^{\circ}\text{C}$
$T_{SD}$	Thermal shutdown temperature	$T_J$ rising				165	$^{\circ}\text{C}$
$T_{SD-HYS}$	Thermal shutdown temperature hysteresis	$T_J$ falling				20	$^{\circ}\text{C}$

**7.6 Typical Characteristics**

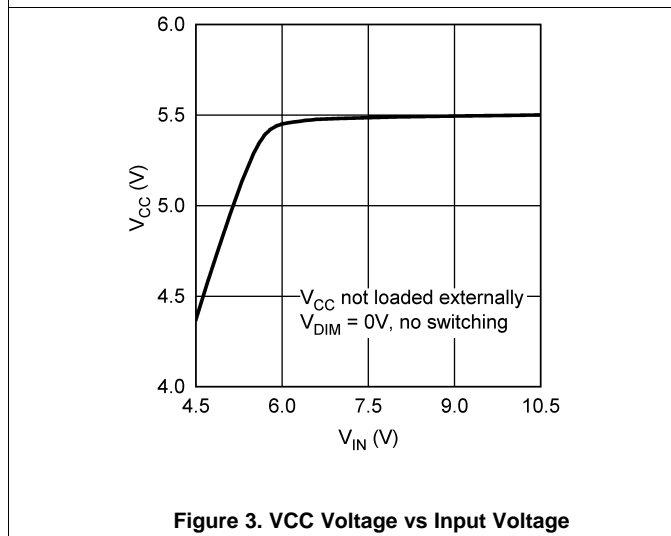
Unless otherwise specified the following conditions apply:  $T_J = 25^{\circ}\text{C}$ ,  $V_{IN} = 12\text{ V}$  with configuration in typical application circuit for  $I_{LED} = 250\text{ mA}$  shown in this data sheet.



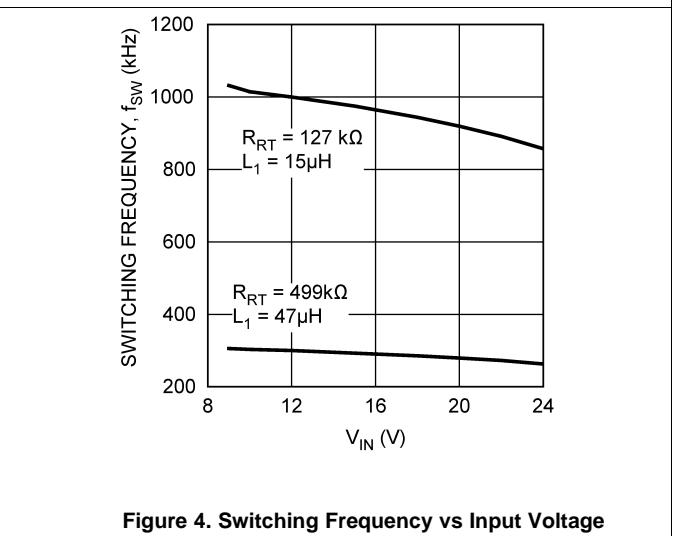
**Figure 1. Quiescent Current vs Input Voltage**



**Figure 2. VCC Voltage vs VCC Output Current**



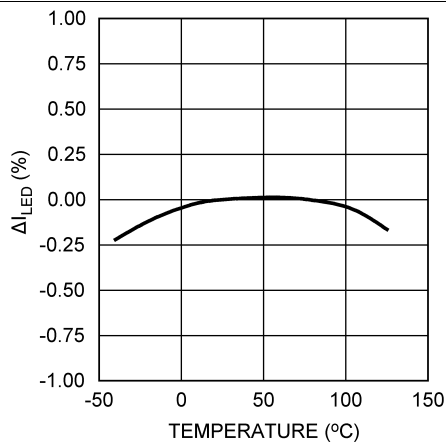
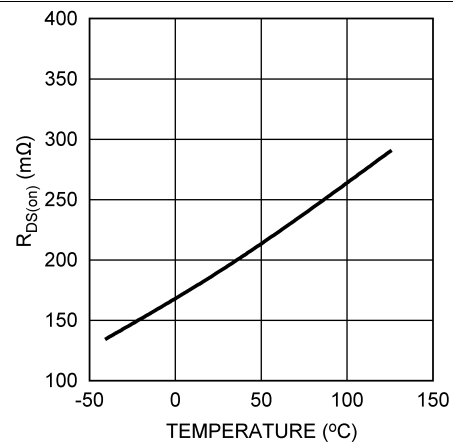
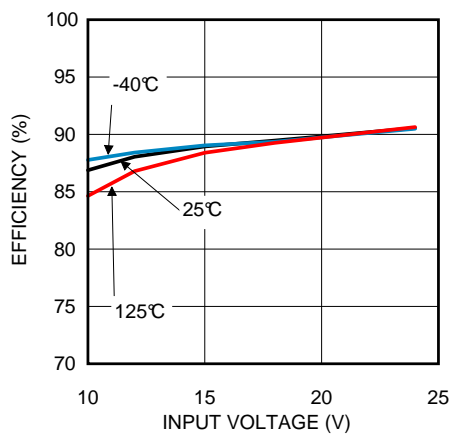
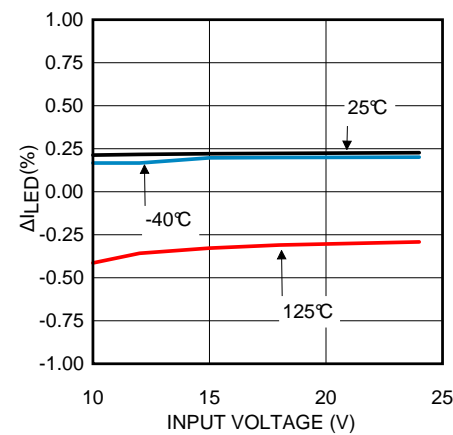
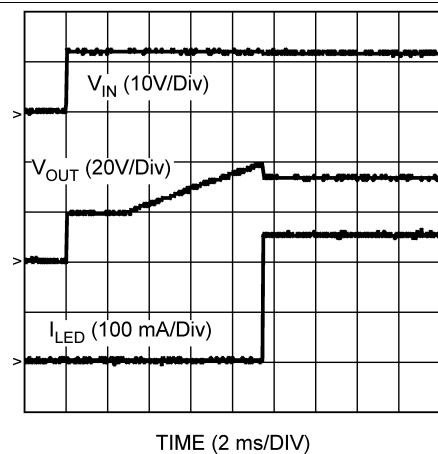
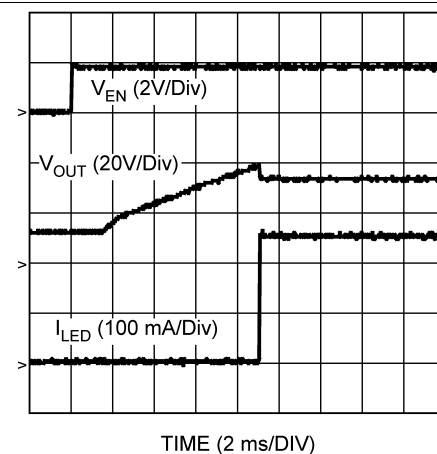
**Figure 3. VCC Voltage vs Input Voltage**



**Figure 4. Switching Frequency vs Input Voltage**

### Typical Characteristics (continued)

Unless otherwise specified the following conditions apply:  $T_J = 25^\circ\text{C}$ ,  $V_{IN} = 12\text{ V}$  with configuration in typical application circuit for  $I_{LED} = 250\text{ mA}$  shown in this data sheet.


**Figure 5. LED Current Regulation vs Temperature**

**Figure 6. MOSFET On-Resistance vs Temperature**

 $I_{LED} = 0.25\text{ A}$ 
**Figure 7. Efficiency vs Input Voltage**

 $I_{LED} = 0.25\text{ A}$ 
**Figure 8. LED Current Regulation vs Input Voltage**

 $I_{LED} = 0.25\text{ A}$ 
**Figure 9. Power-Up Waveform**

 $I_{LED} = 0.25\text{ A}$ 
**Figure 10. Enable Transient Waveform**



Typical Characteristics (continued)

Unless otherwise specified the following conditions apply:  $T_J = 25^\circ\text{C}$ ,  $V_{IN} = 12\text{ V}$  with configuration in typical application circuit for  $I_{LED} = 250\text{ mA}$  shown in this data sheet.

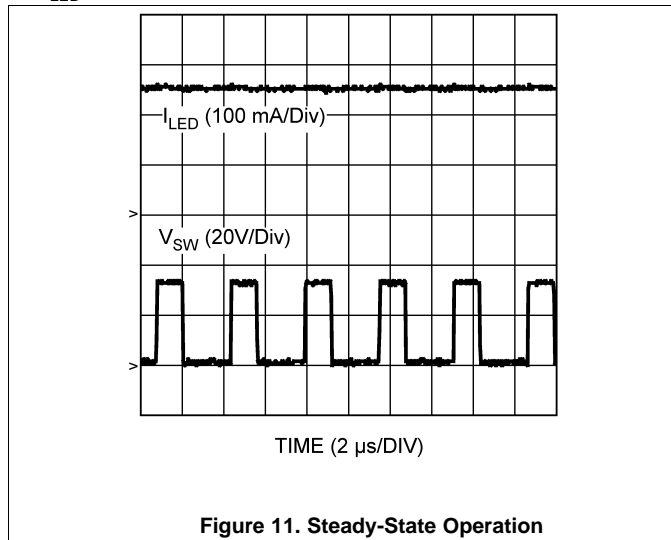


Figure 11. Steady-State Operation

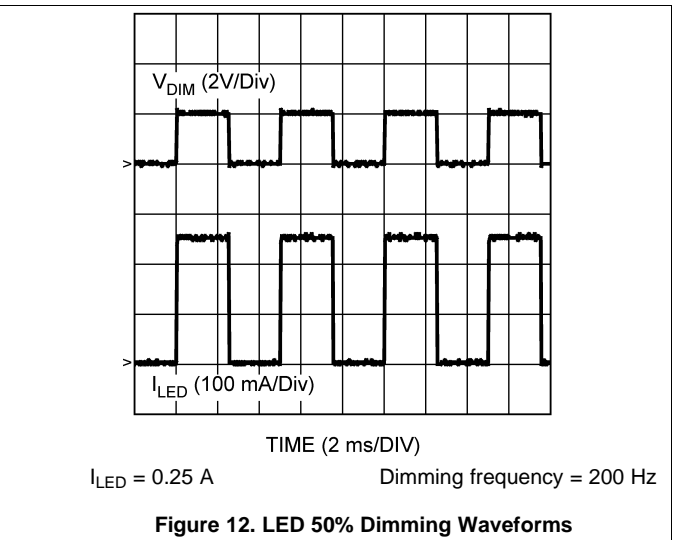


Figure 12. LED 50% Dimming Waveforms

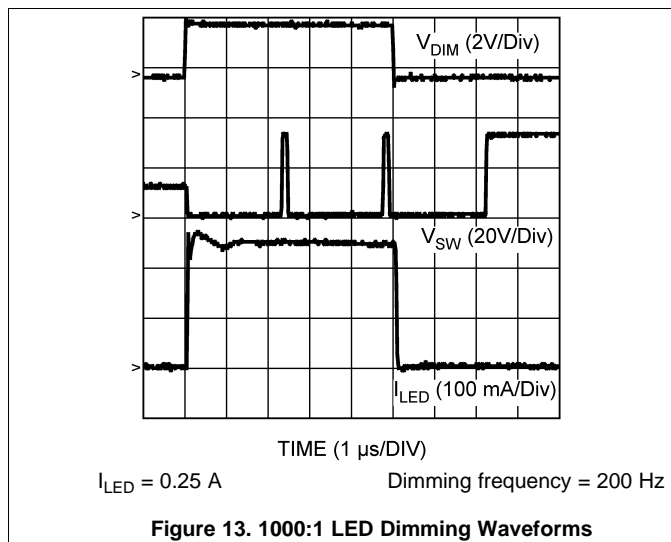


Figure 13. 1000:1 LED Dimming Waveforms

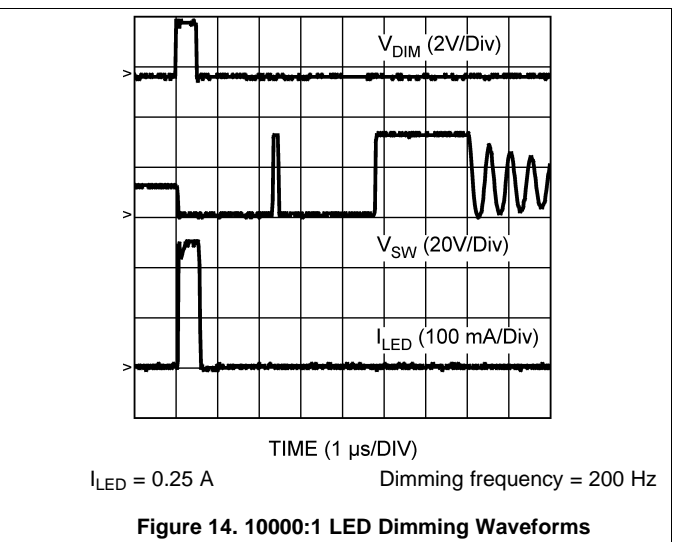


Figure 14. 10000:1 LED Dimming Waveforms

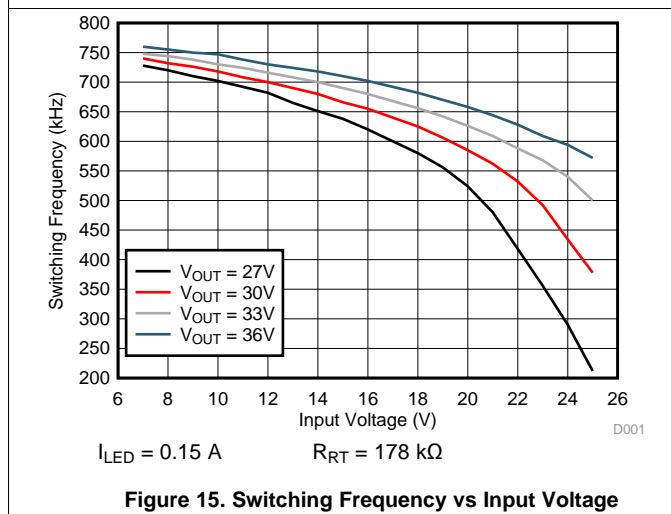


Figure 15. Switching Frequency vs Input Voltage

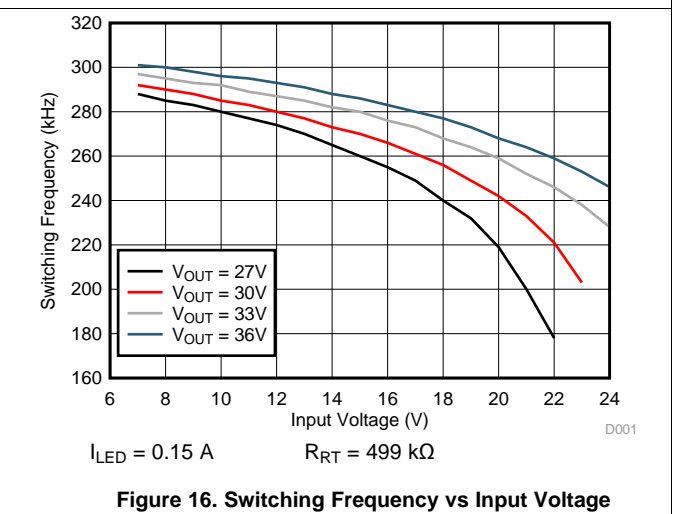
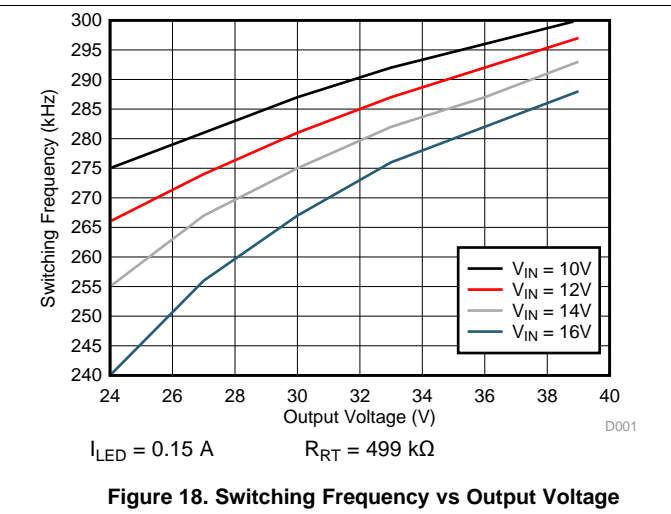
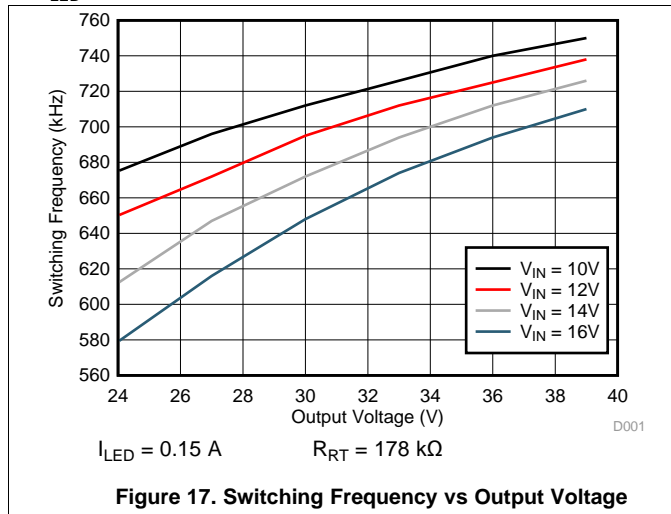


Figure 16. Switching Frequency vs Input Voltage

### Typical Characteristics (continued)

Unless otherwise specified the following conditions apply:  $T_J = 25^\circ\text{C}$ ,  $V_{IN} = 12\text{ V}$  with configuration in typical application circuit for  $I_{LED} = 250\text{ mA}$  shown in this data sheet.



## 8 Detailed Description

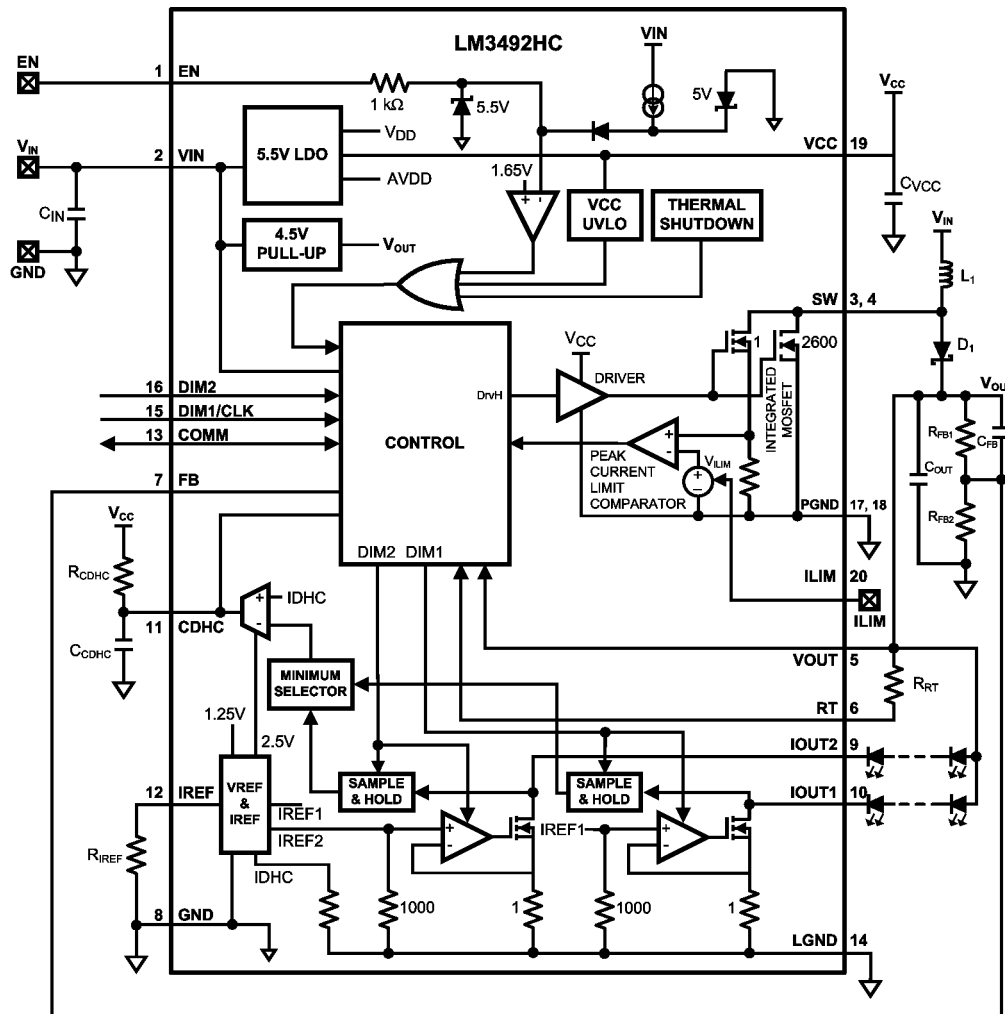
### 8.1 Overview

The LM3492HC device integrates a boost converter and a two-channel current regulator to implement a highly efficient and cost effective LED driver for driving two individually dimmable LED strings with a maximum power of 15 W and an output voltage of up to 65 V. The boost converter provides power for the LED strings, and the current regulator controls the dimming of the LED strings individually. The device integrates an N-channel MOSFET switch and a two-channel current regulator to minimize the component count and solution size.

The two-channel current regulator responds quickly to allow a very high contrast ratio of 10000:1. The two channels dim individually. A digital command sent through the COMM pin disables Channel 1 of the current regulator. In this case, the DIM1 pin can serve only as a clock signal for the data flow of the COMM pin. The power dissipated by the current regulator is adaptively minimized by Dynamic Headroom Control to maximize efficiency.

When used in automotive LCD back-light panels, the device can operate efficiently for inputs as high as 65 V. Diagnostic functions including power good indication, over-temperature indication, output current overvoltage and undervoltage indications facilitate the interface of the device application circuit with external micro-processors (MCUs). The device does not latch off and continues to operate in the presence of the indications. Other useful features include thermal shutdown, VCC undervoltage lockout, and precision enable.

### 8.2 Functional Block Diagram

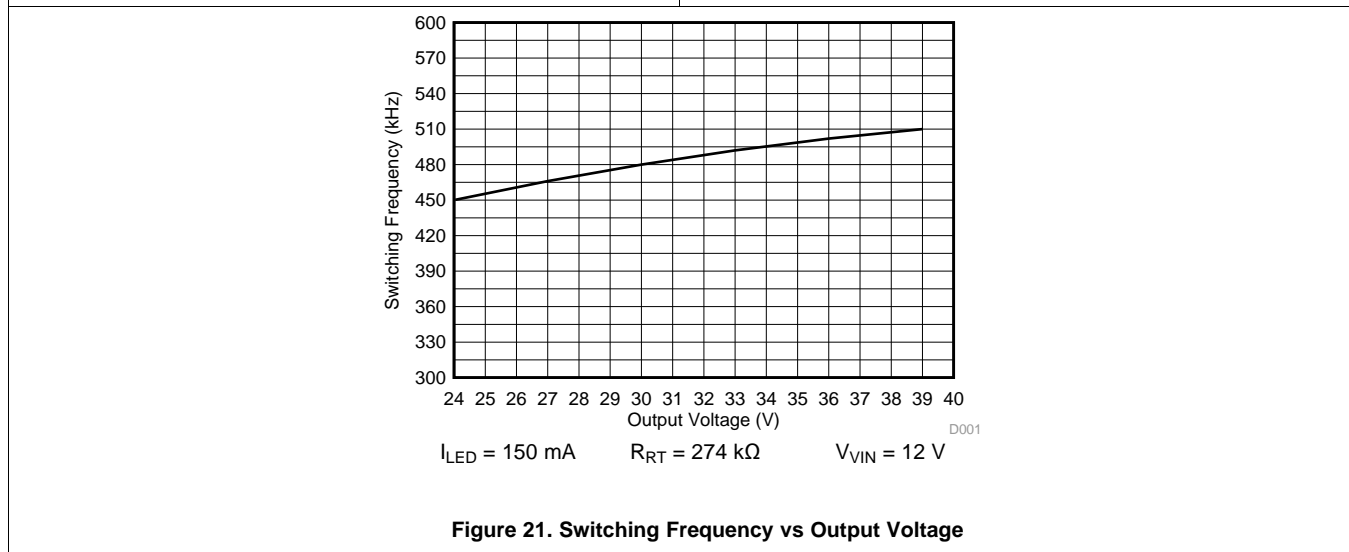
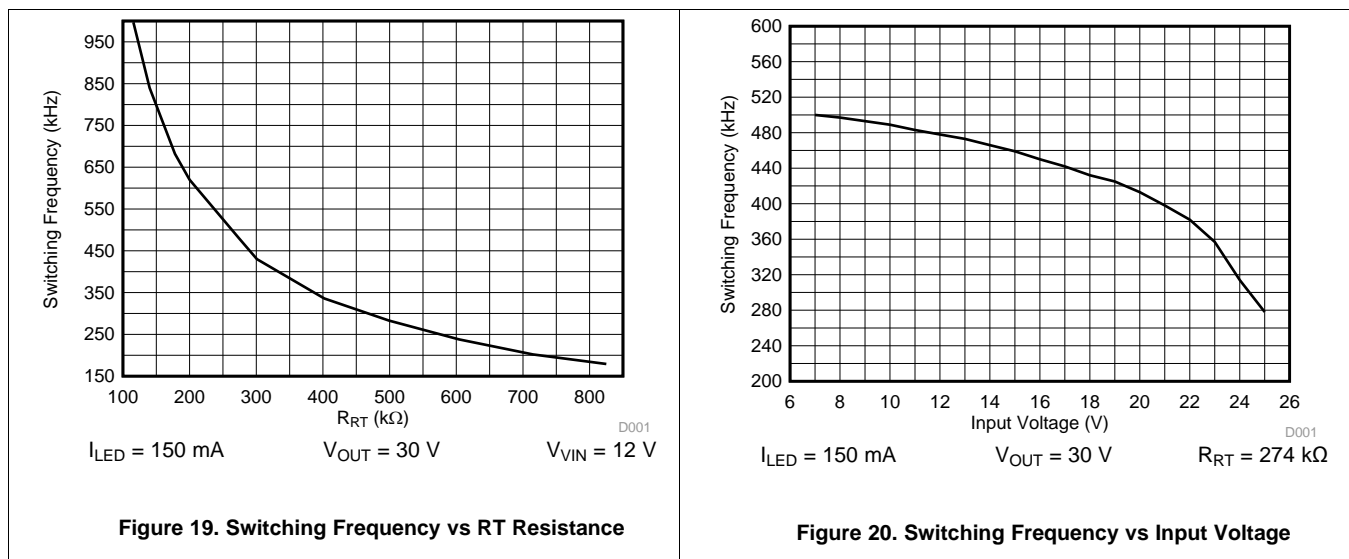


## 8.3 Feature Description

### 8.3.1 Switching Frequency

The boost converter of the LM3492HC device employs a projected-on-time (POT) control method to determine the on-time period of the MOSFET with respect to the input and output voltages and an external resistor  $R_{RT}$ . During the on-time period, the boost inductor charges up, and the output capacitor discharges to provide power to the output. A cycle-by-cycle current limit (which is 3.9 A typically and programmable by an external resistor) protects the MOSFET. After the on-time period, the MOSFET turns off and boost inductor discharges. The next on-time period starts when the voltage of the FB pin drops below a threshold which is determined by *dynamic headroom control* (DHC) and operates from 1.05 V to 2 V. DHC affects the threshold when either the DIM1 pin is high or the DIM2 pin is high.

During POT control operation, the boost converter maintains switching at a nearly constant frequency. During most operating conditions, the switching frequency depends on mainly the value of  $R_{RT}$  (Figure 19) but may see some variation with changes in input or output voltage. Also, POT control operation requires no compensation circuit and offers fast transient response of the output voltage. Applications that require very wide input voltage or very wide output voltage ranges may see some variation in the switching frequency as shown in Figure 20 and Figure 21. More switching frequency graphs can be found in the *Typical Characteristics* section.



## Feature Description (continued)

### 8.3.2 LDO Regulator

The LM3492HC device offers an integrated, 5.5-V, LDO regulator. For stability, connect an external capacitor  $C_{VCC}$  of more than 0.47- $\mu$ F between the VCC and GND pins. The current limit of the LDO is typically 30 mA. The LDO regulator can be used to pullup the open-drain COMM pin with an external resistor, and sources current to the ILIM pin to adjust the current limit of the integrated MOSFET. When the voltage on the VCC pin ( $V_{CC}$ ) is higher than the undervoltage lockout (UVLO) threshold of 3.78 V, the device becomes enabled and the CDHC pin sources a current to charge up an external capacitor ( $C_{CDHC}$ ) to provide a soft-start function.

### 8.3.3 Enable and Disable

To enable the LM3492HC device, the voltage on the EN pin ( $V_{EN}$ ) must be higher than an enable threshold of typically 1.63 V. If the voltage on the EN pin ( $V_{EN}$ ) is lower than 1.43 V, the device shuts down. In this case, the LDO regulator turns off and the CDHC pin becomes internally grounded. The EN pin internally pulls up. After enable, a 40- $\mu$ A current source pulls up the EN pin. If the EN pin is connected to low such that the device is shutdown, the pullup current is reduced to 2  $\mu$ A. These advantages allow the device to effectively avoid false disabling by noise during operation, and minimize power consumption during shutdown. The enable threshold is so precise that it can support a UVLO function for the input voltage as shown in Figure 22. The input voltage can be connected to the EN pin through a resistor divider consisting of  $R_{EN1}$  and  $R_{EN2}$ . This circuitry ensures that the device operates after the input voltage reaches a minimum require value  $V_{IN(EN)}$ , as shown in Equation 1.

$$V_{IN(EN)} = 1.63 V(1 + R_{EN1}/R_{EN2}) \quad (1)$$

To maintain the  $V_{EN}$  level below the absolute maximum specification, place a Zener diode ( $D_{EN}$ ) between the EN pin and GND pins.

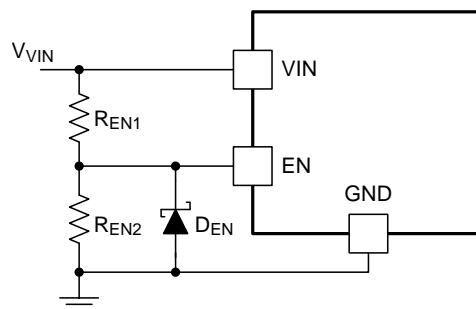


Figure 22. Input Voltage UVLO Implemented by Precision Enable

After the EN pin is pulled low, the device performs the following functions:

- resets IOUT overvoltage and undervoltage indications and the corresponding COMM bit pattern
- resumes the switching frequency tuning to the normal frequency
- resumes channel 1 of the current regulator if it is disabled

Pulling the EN pin low for a short period of approximately 200 ns achieves these same functions with little or no effect on the operation of the boost converter and the current regulator.

### 8.3.4 Current Limit

The current limit ( $I_{CL}$ ) of the integrated MOSFET of the LM3492HC device provides a cycle-by-cycle current limit for protection. This limit can be decreased by injecting a small signal current,  $I_{ILIM}$  into the ILIM pin. The relationship between  $I_{CL}$  and  $I_{ILIM}$  is described in Equation 2.

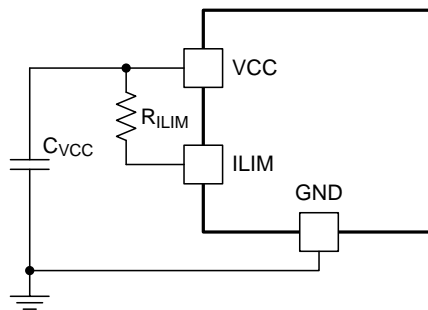
$$I_{CL} = I_{CL(max)} - 4290 \times I_{ILIM}$$

where

- $I_{CL(max)}$  is the maximum current limit (3.9 A typical) (2)

As shown in Figure 23, create current limit functionality by connecting a resistor ( $R_{ILIM}$ ) between the VCC pin and the ILIM pin. The typical voltage on the ILIM pin is 0.7 V. To obtain the maximum current limit, connect the ILIM pin to ground.

## Feature Description (continued)



**Figure 23. Programmable Current Limit**

### 8.3.5 Thermal Protection

An internal thermal shutdown circuit provides thermal protection. The circuit activates at 165°C (typically) to disable the LM3492HC device. In this case, the LDO regulator turns off and the CDHC pin becomes internally grounded. Thermal protection helps prevent catastrophic failures from accidental device overheating. When the junction temperature of the device drops below 145°C (typical hysteresis = 20°C), the device resumes normal operation.

### 8.3.6 Dynamic Headroom Control, Over-Ride, and Soft-Start

The LM3492HC device uses dynamic headroom control (DHC) to adjust the output voltage ( $V_{OUT}$ ) of the boost converter to reduce the power loss of the current regulator and thereby maximize efficiency. To understand this control function, consider  $V_{LED,n}$  the forward voltage of an LED string connecting to the IOUT $n$  pin and  $V_{IOUT,n}$  as the voltage of the IOUT $n$  pin (where  $n$  is 1, 2 for channels 1, 2 of the current regulator).  $V_{LED,n}$  normally and gradually decreases (in terms of minutes) as a result of the rise of the LED die temperature during operation. The DHC adjusts the output voltage ( $V_{OUT}$ ) by adjusting a threshold that is reflected in the voltage of the FB pin with reference to  $V_{IOUT,n}$ , (the difference between  $V_{OUT}$  and  $V_{LED,n}$ ). The capacitor  $C_{CDHC}$  sets the sensitivity of DHC, which affects the response time on adjusting  $V_{OUT}$ . If the capacitance value of  $C_{CDHC}$  is small,  $V_{OUT}$  is more sensitive to the variation of  $V_{LED,n}$ .

Override the DHC functionality by adding internal pullup resistance or external pullup resistance by connecting the CDHC and VCC pins with a resistor. Use a value of approximately 10 M $\Omega$ . In this case, the voltage of the CDHC pin rises above 2.5 V, and the voltage of the FB pin rises until the voltage reaches the overvoltage protection threshold. Because the pullup is weak, DHC override occurs only at a low contrast ratio (approximately < 1%).

The  $C_{CDHC}$  capacitor acts to control the soft-start functionality. During the start-up period, the voltage of the CDHC pin rises from 0 V to 2.25 V at a rate that depends on the value of the  $C_{CDHC}$  capacitor. This limitation ensures that the voltage of the FB pin (as well as the output voltage) ramps up in a controlled manner, and effectively implements a soft-start function.

An internal switch grounds the CDHC pin during any of the following cases:

- $V_{VCC}$  is below the VCC UVLO threshold
- a thermal shutdown occurs
- the EN pin is pulled low

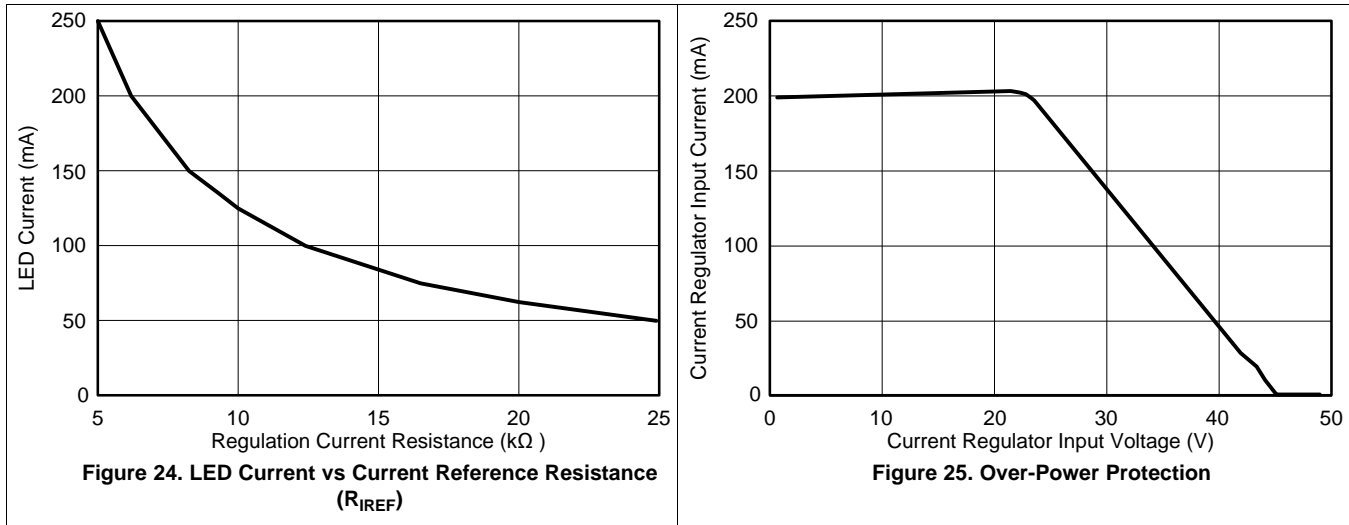
The CDHC pin cannot be connected to the ground externally.

### 8.3.7 Current Regulator

The LM3492HC device integrates a two-channel current regulator for controlling the current of two LED strings. The two LED strings dim individually by applying individual dimming signals to the DIM1 and DIM2 pins for LED strings 1 and 2, which are connected from the VOUT pin to the IOUT1 and IOUT2 pins. The device pulls the DIM1 and DIM2 pins low internally. The lowest contrast ratio is 10000:1. The finest pulse width of the dimming signal for the DIM1 and DIM2 pins is 300 ns.

## Feature Description (continued)

The device sets the current of an LED string ( $I_{LED}$ ) from 50 mA to 250 mA by using an external resistor  $R_{IREF}$  connected between the IREF pin and ground. Figure 24 describes the relationship between  $I_{LED}$  and  $R_{IREF}$ . The two channels of the current regulator can work in parallel for only one LED string by connecting the IOUT1 and IOUT2 pins together to provide an LED current of up to 500 mA. In this case, connect the DIM1 and DIM2 pins together.



If the voltage on the IOUTn ( $n = 1, 2$ ) pin is higher than 24 V when channel  $n$  is on, the regulated current of channel  $n$  reduces linearly if the voltage further increases (as shown in Figure 25). The regulated current of another channel is not affected. This over-power protection feature avoids damaging the current regulator owing to the shorting of many LEDs in one string.

### 8.3.8 Output Voltage Feedback

The device feeds the output voltage back to the FB pin through a feedback circuit consisting of  $R_{FB1}$ ,  $R_{FB2}$ , and  $C_{FB}$  as shown in Figure 26. To assist the feedback functionality, maintain a value of 10 pF for  $C_{FB}$ . The DC component of the output voltage feedback uses  $R_{FB1}$  and  $R_{FB2}$ . The voltage of the FB pin  $V_{FB}$  can be adjusted by DHC. When  $V_{FB}$  reaches  $V_{FB-OVP}$ , the maximum output voltage of the boost converter  $V_{OUT(max)}$  reaches its maximum, as shown in Equation 3.

$$V_{OUT(max)} = 2.88 \text{ V} (1 + R_{FB1} / R_{FB2}) \quad (3)$$

During DHC operation, maintain the output voltage at a nominal voltage but not the maximum. The nominal output voltage ( $V_{OUT(nom)}$ ) is described in Equation 4.

$$V_{OUT(nom)} = \max(V_{LED,n} + V_{IOUT,n}), n = 1, 2$$

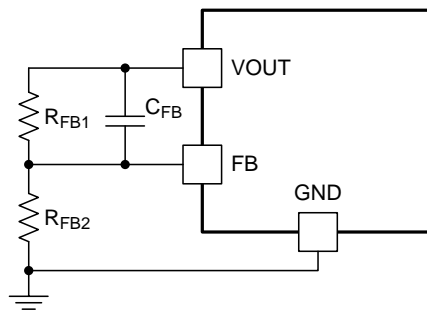
where

- $V_{LED,n}$  is the forward voltage of LED string  $n$
- $V_{IOUT,n}$  is the voltage of the IOUTn pin, where  $n$  is 1, 2 for channels 1, 2 of the current regulator) (4)

The minimum value of  $V_{IOUT,n}$  is approximately  $5 \Omega \times I_{LED}$ . The nominal voltage of the FB pin ( $V_{FB(nom)}$ ) is recommended to be from 1.05 V to 2 V. Equation 5 describes the relation between  $V_{OUT(max)}$ ,  $V_{OUT(nom)}$ , and  $V_{FB(nom)}$ :

$$V_{OUT(max)} = V_{OUT(nom)} \times 2.88 \text{ V} / V_{FB(nom)} \quad (5)$$

## Feature Description (continued)

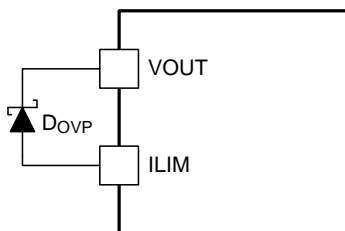


**Figure 26. Output Voltage Feedback Circuit**

### 8.3.9 Overvoltage Protection

When  $V_{FB}$  is higher than the FB pin overvoltage protection (OVP) threshold  $V_{FB-OVP}$  (typically 2.76 V and maximum 2.88 V), the on-period of the integrated MOSFET stop immediately, and the MOSFET keeps off until  $V_{FB}$  falls back below 2.545 V (typical hysteresis 0.215 V).

An alternative method to implement OVP is to directly monitor  $V_{OUT}$  instead of  $V_{FB}$ . An external circuit as shown in [Figure 27](#) is required. Current is injected to the ILIM pin to drive the LM3492HC device to the current limit mode once  $V_{OUT}$  is higher than the avalanche voltage of the Zener diode  $D_{OVP}$  plus 0.7 V, the typical voltage on the ILIM pin. In this case, the device imposes a maximum limit on  $V_{OUT}$ . However, at the maximum limit of  $V_{OUT}$ ,  $V_{FB}$  must be higher than 2.25 V to avoid affecting the start-up of the device.



**Figure 27. External OVP Circuit**

### 8.3.10 Bidirectional Communication Pin

The COMM pin of the LM3492HC device is an open-drain bidirectional I/O pin for interfacing with an external MCU for the following functions:

- power-good indication
- overtemperature indication
- output current overvoltage and undervoltage indications
- switching frequency tuning
- channel 1 disabling

Except for the power good indication and the overtemperature alerts, all data flow through the COMM pin is serial and is latched by the falling edge of the signal applying to the DIM1 pin, even when channel 1 of the current regulator is disabled. If the DIM1 pin remains only low or only high, either by an external circuit or by allowing it to open and pull low internally, data does not flow. [Figure 28](#) and [Figure 29](#) show timing diagrams of reading and writing a bit from and to the device through the COMM pin.

Pull up the COMM pin by an MCU I/O pin, which has pullup capability, or an external resistor  $R_{COMM}$  connected to the VCC pin. Without this capability, the voltage of the COMM pin remains at zero. The rise time of the output signal of the COMM pin depends on the pullup power. If the rise time is long ( $R_{COMM}$  is too large or pullup power from the connecting MCU I/O pin is too weak), data may be ready after a longer duration after the falling edge. In this case, the design requires a longer delay between the falling edge latching and the (input or output) bit.



## Feature Description (continued)

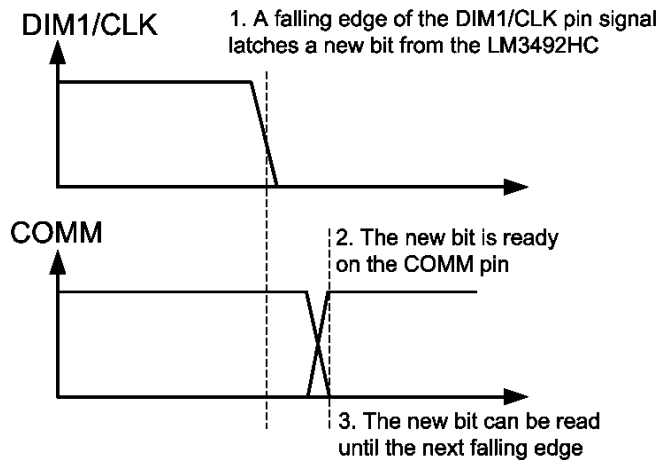


Figure 28. Read from the COMM Pin

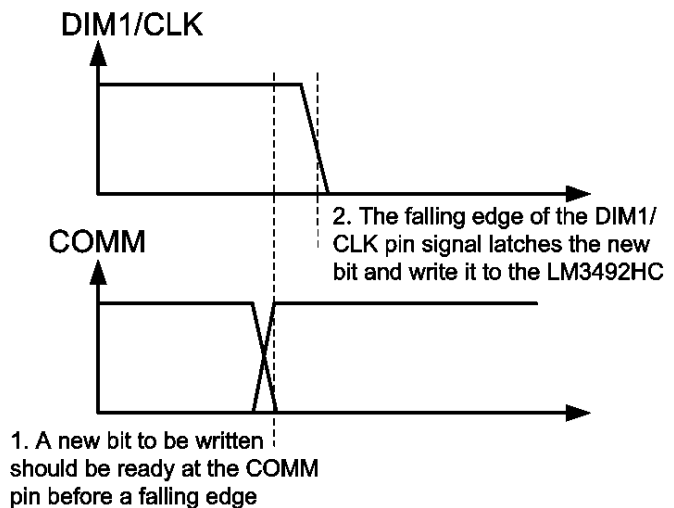


Figure 29. Write to the COMM Pin

### 8.3.10.1 Power-Good Indication

Upon start-up, the COMM pin reads low. The output voltage of the boost converter of the LM3492HC device rises until the voltage on the FB pin ( $V_{FB}$ ) reaches 2.25 V, when the COMM pin reads high to indicate power-good. The power-good indication and the signal applied on the DIM1 pin are independent.

### 8.3.10.2 Overtemperature Indication

If the junction temperature of the LM3492HC device reaches 135°C, the COMM pin reads low, showing an overtemperature indication. The external MCU considers to either turn off or reduce the brightness of the LED strings to prevent overtemperature. The overtemperature indication and the signal applied on the DIM1 pin are independent. The COMM pin reads high if the junction temperature falls below 120°C. The device does not latch off and continues to operate in the presence of the overtemperature indication.

### 8.3.10.3 Output Current Undervoltage Indication

The LM3492HC device gives an IOUTn ( $n = 1, 2$ ) undervoltage indication if the voltage of the IOUTn pin when DIMn is high is lower than its minimum required voltage which can regulate  $I_{LED}$ , and the voltage of the CDHC pin reaches its maximum. These conditions remain while the device applies 508 consecutive dimming signals on the DIMn pin. This means that the current of the LED string n does not reach the regulation value. In most cases, the IOUT undervoltage indication can be regarded as an open fault of the LED string n. A bit pattern (see Table 1) can be read from the COMM pin. The device does not latch off and continues to operate in the presence of the IOUT undervoltage indication.

### 8.3.10.4 Switching Frequency Tuning

After power good, the switching frequency ( $f_{SW}$ ) of the LM3492HC device can be tuned down 20% or 40%, or resume normal by writing commands (refer to Table 2) to the COMM pin. This functionality helps avoid interfering some sensitive devices, for example radios, working nearby the device. Upon reset, the switching frequency ( $f_{SW}$ ) of the device resumes normal by default. In the presence of an overtemperature indication or any COMM bit pattern, no command can be written to the device.

## 8.4 Device Functional Modes

There are no additional functional modes for this device.

## 8.5 Programming

### 8.5.1 Output Current Overvoltage Indication

The LM3492HC device gives an IOUTn (n = 1, 2) overvoltage indication if the voltage of the IOUTn pin when DIMn is higher than a threshold of typically 6.5 V. These conditions remain while the device applies 508 consecutive dimming signals on the DIMn pin. The IOUT overvoltage indication can be regarded as a short fault of the LED string n except the following two cases:

- powering up the device at a very low dimming ratio such that  $V_{OUT}$  maintains at a maximum and DHC is not fast enough to reduce  $V_{OUT}$
- during DHC override condition, a bit pattern (see [Table 1](#)) can be read from the COMM pin

The device does not latch off and continues to operate in the presence of the IOUT overvoltage indication.

**Table 1. COMM Indication Bit Patterns**

CONDITION	PIN	BIT PATTERN
Overvoltage	IOUT1	0001
	IOUT2	0011
Undervoltage	IOUT1	0101
	IOUT2	0111

### 8.5.2 COMM Pin Bit Pattern

[Table 1](#) summarizes all COMM bit patterns of output current overvoltage and undervoltage indications. An existing COMM bit pattern is cleared if one of the following condition occurs:

- the LM3492HC device is shutdown
- the LM3492HC device is disabled by pulling the EN pin low
- the overtemperature indication is appearing

Apply the clock signal on both DIM1 and DIM2 pins when the COMM bit pattern is read by an external MCU. Before reading the COMM bit pattern, pull the EN pin low for approximately 200 ns to reset the COMM bit pattern. This situation does not affect the operation of the boost converter and the current regulator. After EN is reset, if the IOUT overvoltage or undervoltage condition lasts for 508 consecutive clock cycles, the COMM pin sends the COMM bit pattern for the MCU to read.

In case of overtemperature, the device pulls the COMM pin low to give an overtemperature indication overriding any other pattern. After the overtemperature indication disappears, the COMM bit pattern appears before the over-temperature indication appears again.

### 8.5.3 Channel 1 Disable

After a power good verification, channel 1 of the current regulator can be disabled by writing a command (see [Table 2](#)) to the COMM pin. If LED string 1 is malfunctioning, channel 1 can be disabled and the signal applied on the DIM1 pin can serve as only a clock signal for the data flow of the COMM pin. Channel 1 is by default enabled after reset. If the overtemperature indication or any COMM bit pattern has already presented, no command can be written to the LM3492HC device.

**Table 2. Channel Control Commands**

COMMAND	BIT PATTERN
$f_{SW}$ resume normal	1111 0111 0111 0111
$f_{SW}$ tune down by 20%	1111 0001 0001 0001
$f_{SW}$ tune down by 40%	1111 0011 0011 0011
Channel 1 disable	1111 0101 0101 0101

## 9 Application and Implementation

### NOTE

Information in the following applications sections is not part of the TI component specification, and TI does not warrant its accuracy or completeness. TI's customers are responsible for determining suitability of components for their purposes. Customers should validate and test their design implementation to confirm system functionality.

### 9.1 Application Information

The LM3429HC/-Q1 device is ideal for automotive and marine GPS display and applications that require a high contrast ratio.

### 9.2 Typical Application

The following procedures are to design an LED driver using the LM3492HC/-Q1 device.

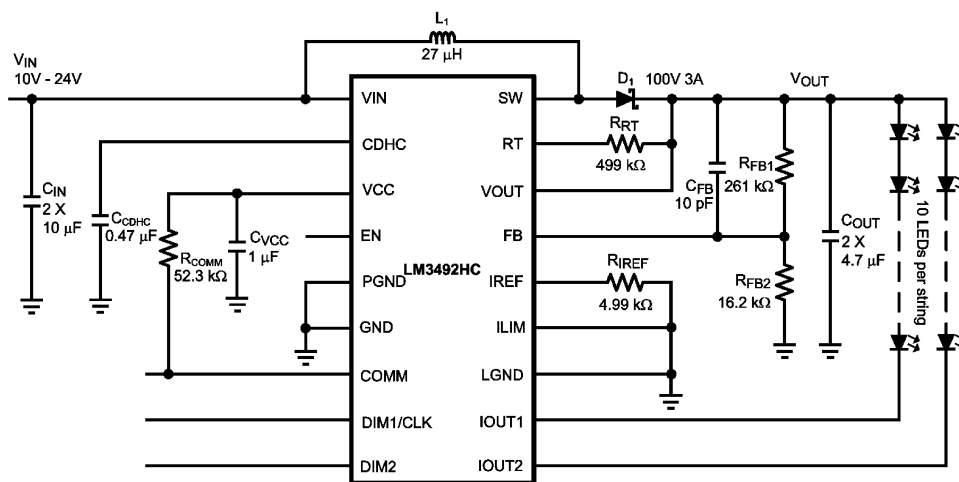


Figure 30. Typical Application Schematic

#### 9.2.1 Design Requirements

The following procedures are to design an LED driver using the LM3492HC device with an input voltage ranged from 10 V to 24 V, and two LED strings consists of 10 LEDs each with a forward voltage of 3 V for each LED when running at 250 mA. The output power is 15 W. The switching frequency  $f_{SW}$  is designed to be 300 kHz.

#### 9.2.2 Detailed Design Procedure

##### 9.2.2.1 $R_{FB1}$ , $R_{FB2}$ , and $C_{FB}$

The nominal voltage of the LED string with 10 LEDs is 30 V, and the minimum voltage of the IOUTn pin ( $n = 1, 2$ ) is 1.25 V when  $I_{LED}$  is 250 mA. As a result,  $V_{OUT(nom)}$  is 31.25 V. Design  $V_{OUT(max)}$  to be 50 V. From Equation 5,  $V_{FB(nom)}$  is approximately 1.8 V, which falls in the recommended operation range from 1.05 V to 2 V. Also, design  $R_{FB2}$  to be 16.2 kΩ. From Equation 3,  $R_{FB1}$  is calculated to be 265.1 kΩ, and a standard resistor value of 261 kΩ is selected.  $C_{FB}$  is selected to be 10 pF as recommended.

##### 9.2.2.2 $L_1$

The main parameter affected by the inductor is the peak to peak inductor current ripple ( $I_{LR}$ ). To maintain a continuous conduction mode (CCM) operation, ensure that the average inductor current  $I_{L1}$  is larger than half of  $I_{LR}$ . For a boost converter,  $I_{L1}$  equals to the input current  $I_{IN}$ . Hence,

$$I_{IN} = (V_{OUT(nom)} \times 2 \times I_{LED}) / V_{IN} \quad (6)$$

Also,

## Typical Application (continued)

$$t_{on} = (1 - V_{IN}/V_{OUT}) / f_{SW} \quad (7)$$

$$L_1 = (V_{IN} \times t_{on}) / 2I_{IN} \quad (8)$$

If  $V_{IN}$  is maximum, which is 24 V in this example, and only one LED string is turned on (because the two channels of the LM3492HC device are individually dimmable),  $I_{IN}$  is minimum. From Equation 6 to Equation 8, it can be calculated that  $I_{IN(MIN)}$ ,  $t_{on}$ , and  $L_1$  are 0.326 A, 0.77  $\mu$ s, and 28.5  $\mu$ H. However,, from Equation 6,  $I_{IN}$  is maximum when  $V_{IN}$  is minimum, which is 10 V in this example, and the two LED strings are turned on together. Hence  $I_{IN(max)}$  is 1.56 A. Then,  $I_{LR}$  is

$$I_{LR} = (V_{IN} \times t_{on}) / L_1 \quad (9)$$

From Equation 7,  $t_{on}$  is 2.27  $\mu$ s. From (9),  $I_{LR}$  is 0.80 A. The steady-state peak inductor current  $I_{L1(PEAK)}$  is

$$I_{L1(PEAK)} = I_{L1} + I_{LR} / 2 \quad (10)$$

As a result,  $I_{L1(PEAK)}$  is 1.96 A. A standard value of 27  $\mu$ H is selected for  $L_1$ , and its saturation current is larger than 1.96 A.

### 9.2.2.3 $D_1$

The selection of the boost diode  $D_1$  depends on two factors. The first factor is the reverse voltage, which equals to  $V_{OUT}$  for a boost converter. The second factor is the peak diode current at the steady state, which equals to the peak inductor current as shown in Equation 10. In this example, a 100-V 3-A schottky diode is selected.

### 9.2.2.4 $C_{IN}$ and $C_{OUT}$

The function of the input capacitor  $C_{IN}$  and the output capacitor  $C_{OUT}$  is to reduce the input and output voltage ripples. Experimentation is usually necessary to determine their value. The rated DC voltage of capacitors used should be higher than the maximum DC voltage applied. Owing to the concern of product lifetime, TI recommends ceramic capacitors. But ceramic capacitors with high rated DC voltage and high capacitance are rare in general. Multiple capacitors connecting in parallel can be used for  $C_{IN}$  and  $C_{OUT}$ . In this example, two 10- $\mu$ F ceramic capacitor are used for  $C_{IN}$ , and two 2.2- $\mu$ F ceramic capacitor are used for  $C_{OUT}$ .

### 9.2.2.5 $C_{VCC}$

The capacitor on the VCC pin provides noise filtering and stabilizes the LDO regulator. It also prevents false triggering of the VCC UVLO.  $C_{VCC}$  is recommended to be a 1- $\mu$ F, good quality and low ESR ceramic capacitor.

### 9.2.2.6 $C_{CDHC}$

The capacitor at the CDHC pin not only affects the sensitivity of the DHC but also determines the soft-start time  $t_{SS}$ , the time for the output voltage to rise until power good.  $t_{SS}$  is determined from the following equation:

$$t_{SS} = \frac{C_{CDHC} \times 2.25V}{120 \mu A} \quad (11)$$

In this example,  $C_{CDHC}$  is recommended to be a 0.47- $\mu$ F good quality and low ESR ceramic capacitor.

### 9.2.2.7 $R_{RT}$ and $R_{IREF}$

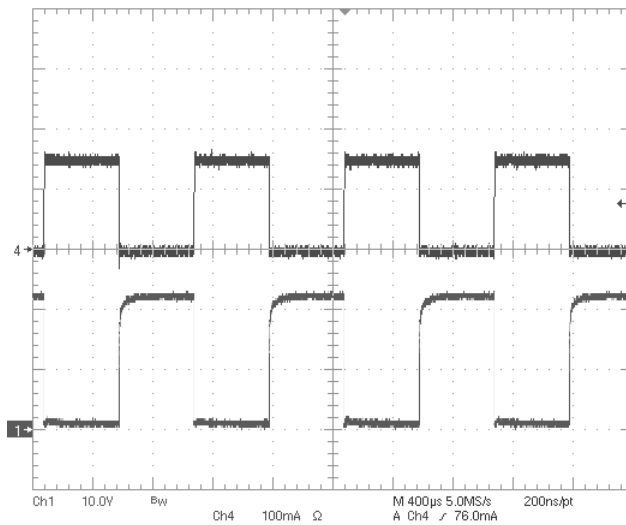
The resistors  $R_{RT}$  and  $R_{IREF}$  set the switching frequency  $f_{SW}$  of the boost converter and the LED current  $I_{LED}$  respectively. From Figure 19, if  $f_{SW}$  is 300 kHz,  $R_{RT}$  is selected to be 442 k $\Omega$ . From Figure 24, if  $I_{LED}$  is 250 mA,  $R_{IREF}$  is selected to be 4.99 k $\Omega$ .

### 9.2.2.8 $R_{COMM}$

Because the COMM pin is open drain, a resistor  $R_{COMM}$  of 52.3 k $\Omega$  is used to connect the VCC and COMM pins to act as a pullup function.

Typical Application (continued)

9.2.3 Application Curve



$I_{LED} = 150 \text{ mA}$        $V_{OUT} = 30 \text{ V}$        $V_{VIN} = 12 \text{ V}$   
 Dimming frequency = 1 kHz      Trace 1 =  $V_{IOUT1}$       Trace 4 = channel 1 LED

**Figure 31. PWM Dimming**

## 10 Power Supply Recommendations

Use a DC output power supply with a maximum output voltage capability greater than the maximum input voltage for the application. The current rating of the supply should be greater than the maximum input current required by the application.

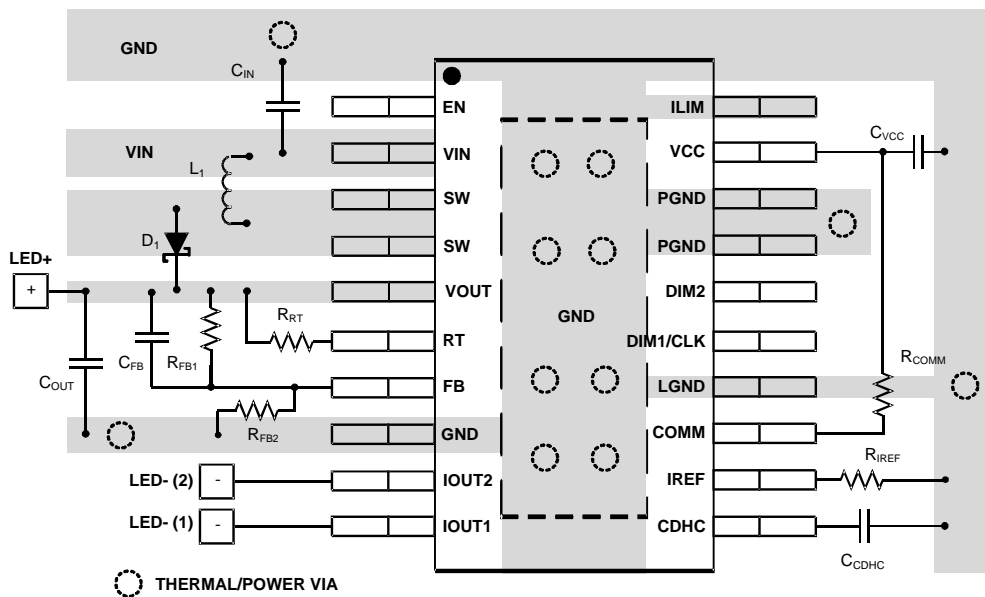
## 11 Layout

### 11.1 Layout Guidelines

The layout of the printed-circuit-board is critical to optimize the performance of the LM3492HC device application circuit. In general, external components should be placed as close to the device and each other as possible to make copper traces short and direct. In particular, components of the boost converter  $C_{IN}$ ,  $L_1$ ,  $D_1$ ,  $C_{OUT}$ , and the LM3492HC device should be closed. Also, the output feedback capacitor  $C_{FB}$  should be closed to the output capacitor  $C_{OUT}$ . The ground plane connecting the GND, PGND, and LGND pins and the exposed pad of the device and the ground connection of the  $C_{IN}$  and  $C_{OUT}$  should be placed on the same copper layer.

Good heat dissipation helps optimize the performance of the device. The ground plane should be used to connect the exposed pad of the device, which is internally connected to the device die substrate. The area of the ground plane should be extended as much as possible on the same copper layer around the device. Using numerous vias beneath the exposed pad to dissipate heat of the device to another copper layer is also a good practice.

### 11.2 Layout Example



**Figure 32. Layout Recommendation**

## 12 器件和文档支持

### 12.1 相关链接

表 3 列出了快速访问链接。范围包括技术文档、支持与社区资源、工具和软件，以及样片或购买的快速访问。

表 3. 相关链接

部件	产品文件夹	样片与购买	技术文档	工具与软件	支持与社区
LM3492HC	<a href="#">请单击此处</a>	<a href="#">请单击此处</a>	<a href="#">请单击此处</a>	<a href="#">请单击此处</a>	<a href="#">请单击此处</a>
LM3492HC-Q1	<a href="#">请单击此处</a>	<a href="#">请单击此处</a>	<a href="#">请单击此处</a>	<a href="#">请单击此处</a>	<a href="#">请单击此处</a>

### 12.2 社区资源

The following links connect to TI community resources. Linked contents are provided "AS IS" by the respective contributors. They do not constitute TI specifications and do not necessarily reflect TI's views; see TI's [Terms of Use](#).

**TI E2E™ Online Community** *TI's Engineer-to-Engineer (E2E) Community*. Created to foster collaboration among engineers. At e2e.ti.com, you can ask questions, share knowledge, explore ideas and help solve problems with fellow engineers.

**Design Support** *TI's Design Support* Quickly find helpful E2E forums along with design support tools and contact information for technical support.

### 12.3 商标

E2E is a trademark of Texas Instruments.  
All other trademarks are the property of their respective owners.

### 12.4 静电放电警告



这些装置包含有限的内置 ESD 保护。存储或装卸时，应将导线一起截短或将装置放置于导电泡棉中，以防止 MOS 门极遭受静电损伤。

### 12.5 Glossary

[SLYZ022](#) — *TI Glossary*.

This glossary lists and explains terms, acronyms, and definitions.

## 13 机械、封装和可订购信息

以下页中包括机械、封装和可订购信息。 这些信息是针对指定器件可提供的最新数据。 这些数据会在无通知且不  
对本文档进行修订的情况下发生改变。 欲获得该数据表的浏览器版本，请查阅左侧的导航栏。

**PACKAGING INFORMATION**

Orderable Device	Status (1)	Package Type	Package Drawing	Pins	Package Qty	Eco Plan (2)	Lead finish/ Ball material (6)	MSL Peak Temp (3)	Op Temp (°C)	Device Marking (4/5)	Samples
LM3492HCMH/NOPB	ACTIVE	HTSSOP	PWP	20	73	RoHS & Green	SN	Level-1-260C-UNLIM	-40 to 125	LM3492 HCMH	<a href="#">Samples</a>
LM3492HCMHX/NOPB	ACTIVE	HTSSOP	PWP	20	2500	RoHS & Green	SN	Level-1-260C-UNLIM	-40 to 125	LM3492 HCMH	<a href="#">Samples</a>
LM3492HCQMH/NOPB	ACTIVE	HTSSOP	PWP	20	73	RoHS & Green	SN	Level-1-260C-UNLIM	-40 to 125	LM3492 HCQMH	<a href="#">Samples</a>
LM3492HCQMHX/NOPB	ACTIVE	HTSSOP	PWP	20	2500	RoHS & Green	SN	Level-1-260C-UNLIM	-40 to 125	LM3492 HCQMH	<a href="#">Samples</a>

(1) The marketing status values are defined as follows:

**ACTIVE:** Product device recommended for new designs.

**LIFEBUY:** TI has announced that the device will be discontinued, and a lifetime-buy period is in effect.

**NRND:** Not recommended for new designs. Device is in production to support existing customers, but TI does not recommend using this part in a new design.

**PREVIEW:** Device has been announced but is not in production. Samples may or may not be available.

**OBSELETE:** TI has discontinued the production of the device.

(2) **RoHS:** TI defines "RoHS" to mean semiconductor products that are compliant with the current EU RoHS requirements for all 10 RoHS substances, including the requirement that RoHS substance do not exceed 0.1% by weight in homogeneous materials. Where designed to be soldered at high temperatures, "RoHS" products are suitable for use in specified lead-free processes. TI may reference these types of products as "Pb-Free".

**RoHS Exempt:** TI defines "RoHS Exempt" to mean products that contain lead but are compliant with EU RoHS pursuant to a specific EU RoHS exemption.

**Green:** TI defines "Green" to mean the content of Chlorine (Cl) and Bromine (Br) based flame retardants meet JS709B low halogen requirements of <=1000ppm threshold. Antimony trioxide based flame retardants must also meet the <=1000ppm threshold requirement.

(3) MSL, Peak Temp. - The Moisture Sensitivity Level rating according to the JEDEC industry standard classifications, and peak solder temperature.

(4) There may be additional marking, which relates to the logo, the lot trace code information, or the environmental category on the device.

(5) Multiple Device Markings will be inside parentheses. Only one Device Marking contained in parentheses and separated by a "~" will appear on a device. If a line is indented then it is a continuation of the previous line and the two combined represent the entire Device Marking for that device.

(6) Lead finish/Ball material - Orderable Devices may have multiple material finish options. Finish options are separated by a vertical ruled line. Lead finish/Ball material values may wrap to two lines if the finish value exceeds the maximum column width.

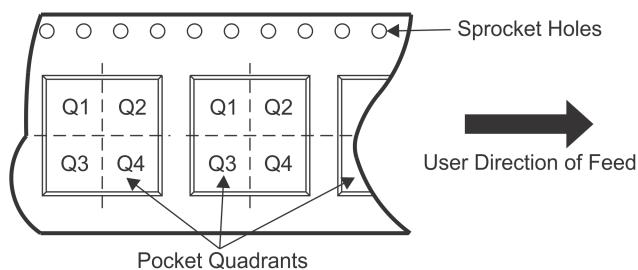
**Important Information and Disclaimer:**The information provided on this page represents TI's knowledge and belief as of the date that it is provided. TI bases its knowledge and belief on information provided by third parties, and makes no representation or warranty as to the accuracy of such information. Efforts are underway to better integrate information from third parties. TI has taken and



continues to take reasonable steps to provide representative and accurate information but may not have conducted destructive testing or chemical analysis on incoming materials and chemicals. TI and TI suppliers consider certain information to be proprietary, and thus CAS numbers and other limited information may not be available for release.

In no event shall TI's liability arising out of such information exceed the total purchase price of the TI part(s) at issue in this document sold by TI to Customer on an annual basis.

**TAPE AND REEL INFORMATION**

**QUADRANT ASSIGNMENTS FOR PIN 1 ORIENTATION IN TAPE**


\*All dimensions are nominal

Device	Package Type	Package Drawing	Pins	SPQ	Reel Diameter (mm)	Reel Width W1 (mm)	A0 (mm)	B0 (mm)	K0 (mm)	P1 (mm)	W (mm)	Pin1 Quadrant
LM3492HCMHX/NOPB	HTSSOP	PWP	20	2500	330.0	16.4	6.95	7.1	1.6	8.0	16.0	Q1
LM3492HCQMHX/NOPB	HTSSOP	PWP	20	2500	330.0	16.4	6.95	7.1	1.6	8.0	16.0	Q1

**TAPE AND REEL BOX DIMENSIONS**


\*All dimensions are nominal

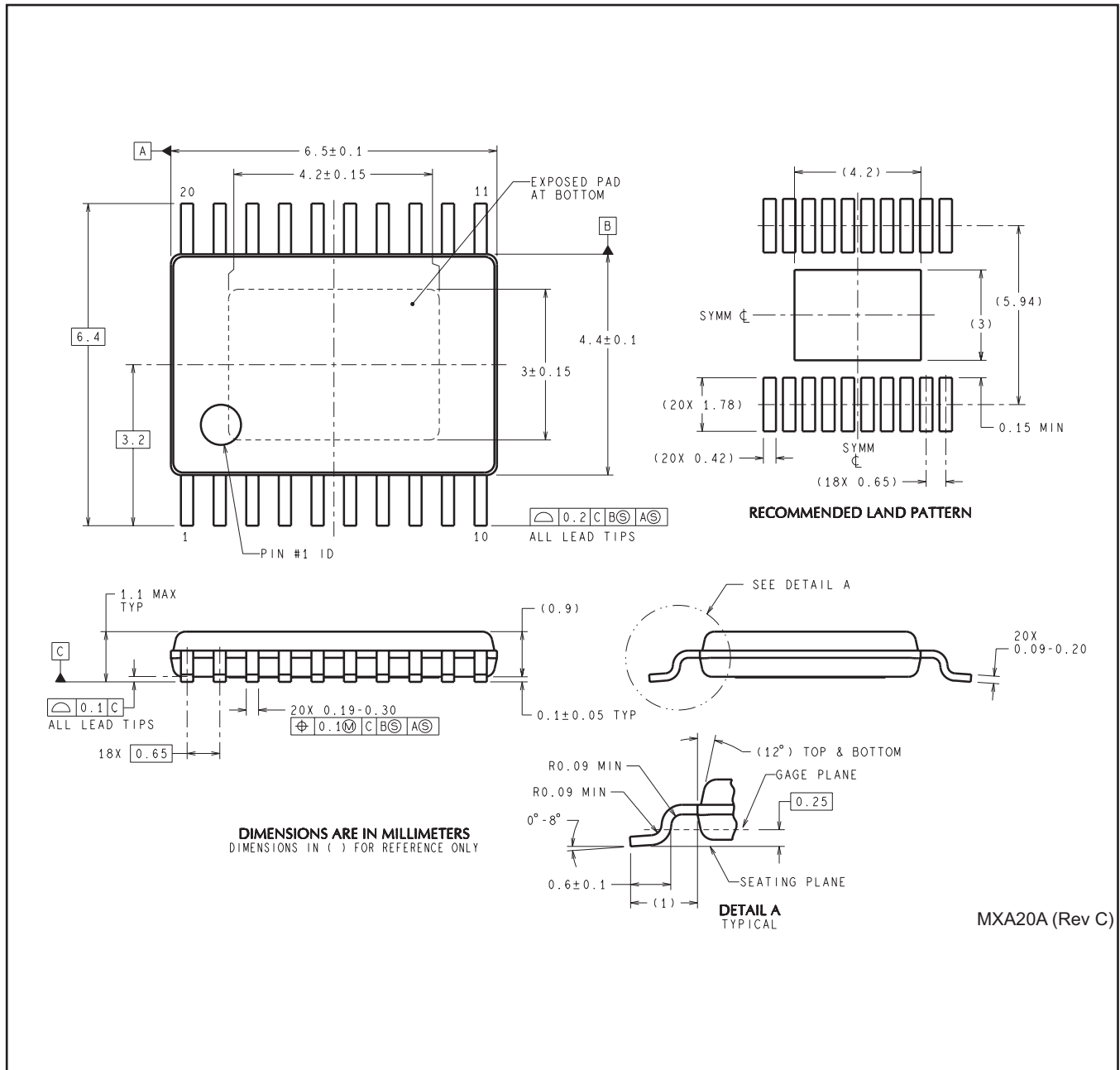
Device	Package Type	Package Drawing	Pins	SPQ	Length (mm)	Width (mm)	Height (mm)
LM3492HCMHX/NOPB	HTSSOP	PWP	20	2500	367.0	367.0	35.0
LM3492HCQMHX/NOPB	HTSSOP	PWP	20	2500	356.0	356.0	35.0

**TUBE**


\*All dimensions are nominal

Device	Package Name	Package Type	Pins	SPQ	L (mm)	W (mm)	T (μm)	B (mm)
LM3492HCMH/NOPB	PWP	HTSSOP	20	73	495	8	2514.6	4.06
LM3492HCQMH/NOPB	PWP	HTSSOP	20	73	495	8	2514.6	4.06

PWP0020A



## 重要声明和免责声明

TI“按原样”提供技术和可靠性数据（包括数据表）、设计资源（包括参考设计）、应用或其他设计建议、网络工具、安全信息和其他资源，不保证没有瑕疵且不做任何明示或暗示的担保，包括但不限于对适销性、某特定用途方面的适用性或不侵犯任何第三方知识产权的暗示担保。

这些资源可供使用 TI 产品进行设计的熟练开发人员使用。您将自行承担以下全部责任：(1) 针对您的应用选择合适的 TI 产品，(2) 设计、验证并测试您的应用，(3) 确保您的应用满足相应标准以及任何其他功能安全、信息安全、监管或其他要求。

这些资源如有变更，恕不另行通知。TI 授权您仅可将这些资源用于研发本资源所述的 TI 产品的应用。严禁对这些资源进行其他复制或展示。您无权使用任何其他 TI 知识产权或任何第三方知识产权。您应全额赔偿因在这些资源的使用中对 TI 及其代表造成的任何索赔、损害、成本、损失和债务，TI 对此概不负责。

TI 提供的产品受 [TI 的销售条款](#) 或 [ti.com](#) 上其他适用条款/TI 产品随附的其他适用条款的约束。TI 提供这些资源并不会扩展或以其他方式更改 TI 针对 TI 产品发布的适用的担保或担保免责声明。

TI 反对并拒绝您可能提出的任何其他或不同的条款。

邮寄地址：Texas Instruments, Post Office Box 655303, Dallas, Texas 75265

Copyright © 2022，德州仪器 (TI) 公司